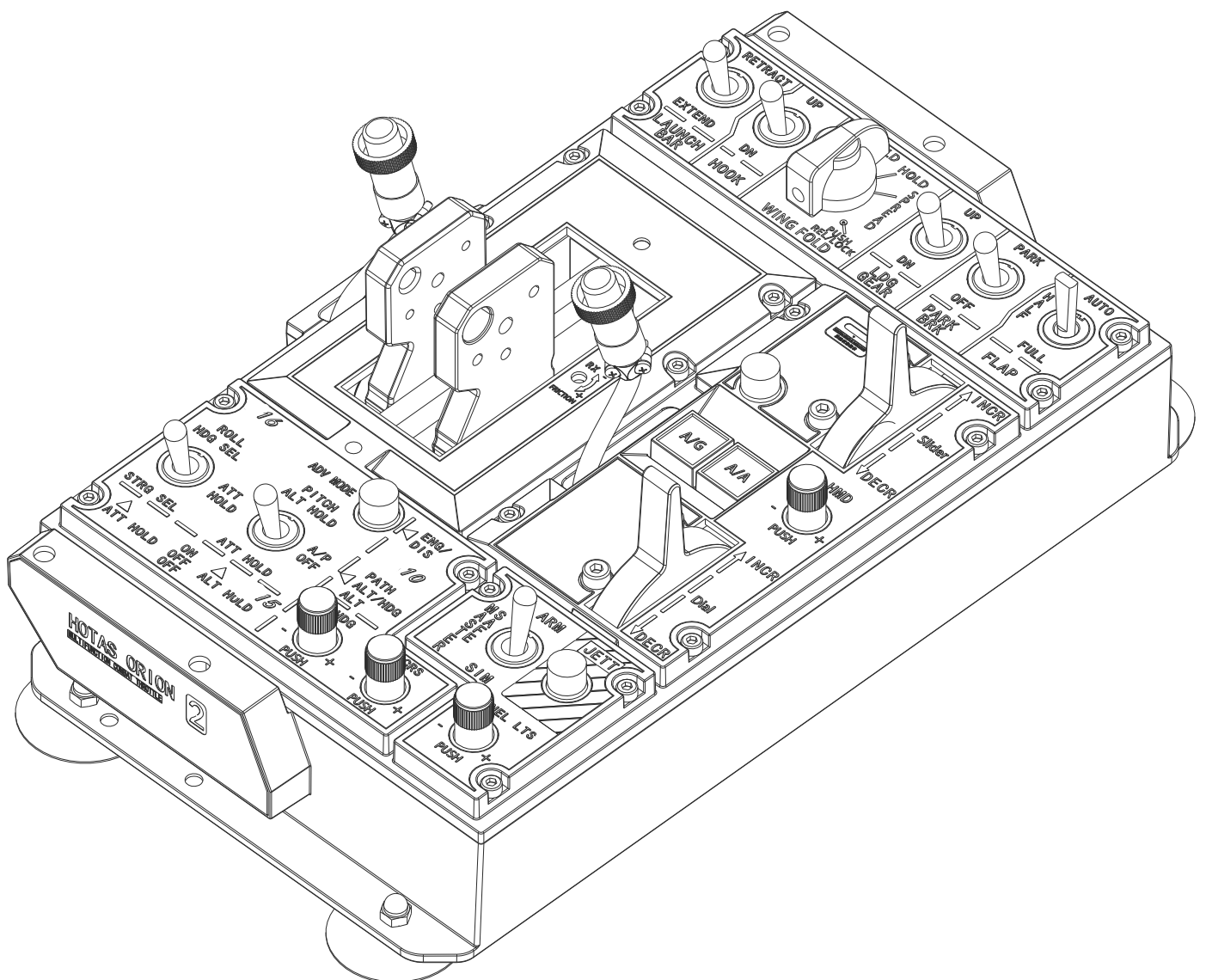


# T2 THROTTLE BASE II

用户手册 V1.1 2023.11



## Catalogue:

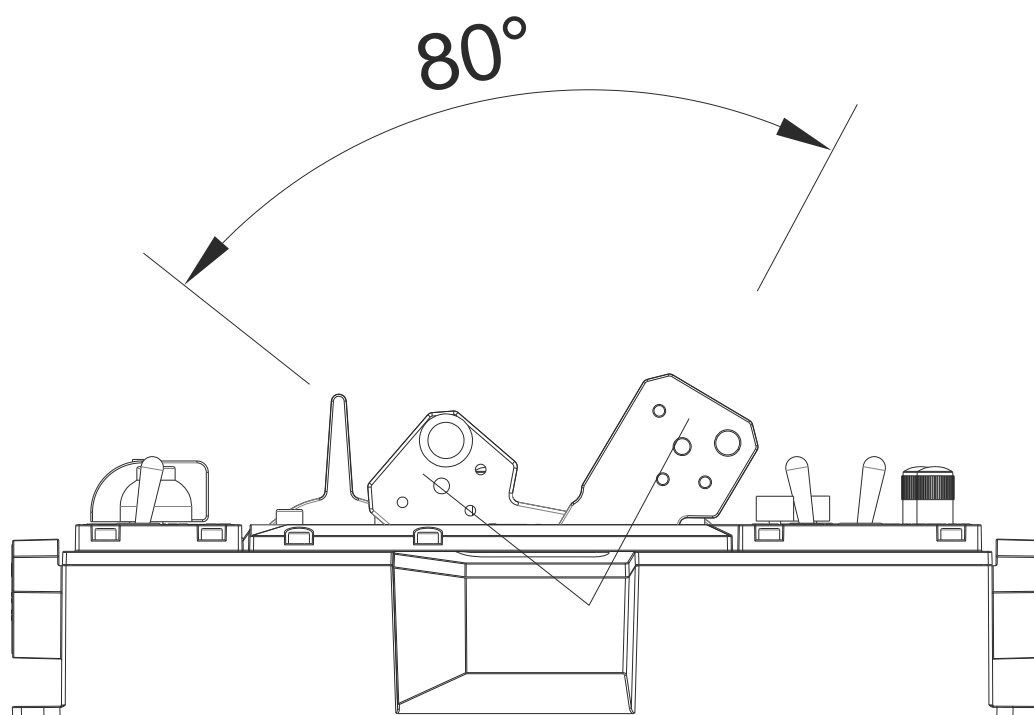
1. Parameter .....	4
1.1. Performance parameter .....	4
1.2. Applicable mode.....	5
1.3. Dimensions .....	5
1.4. Installation dimensions .....	6
2. Function.....	7
2.1. Key/switch arrangement and functions .....	7
2.2. Adjustment method.....	8
3. Components disassemble and assemble .....	9
4. Installation method .....	10
4.1. T2-2base and suction cups installation .....	10
4.2. Cable clamp installation.....	11
4.3. Other installations .....	12



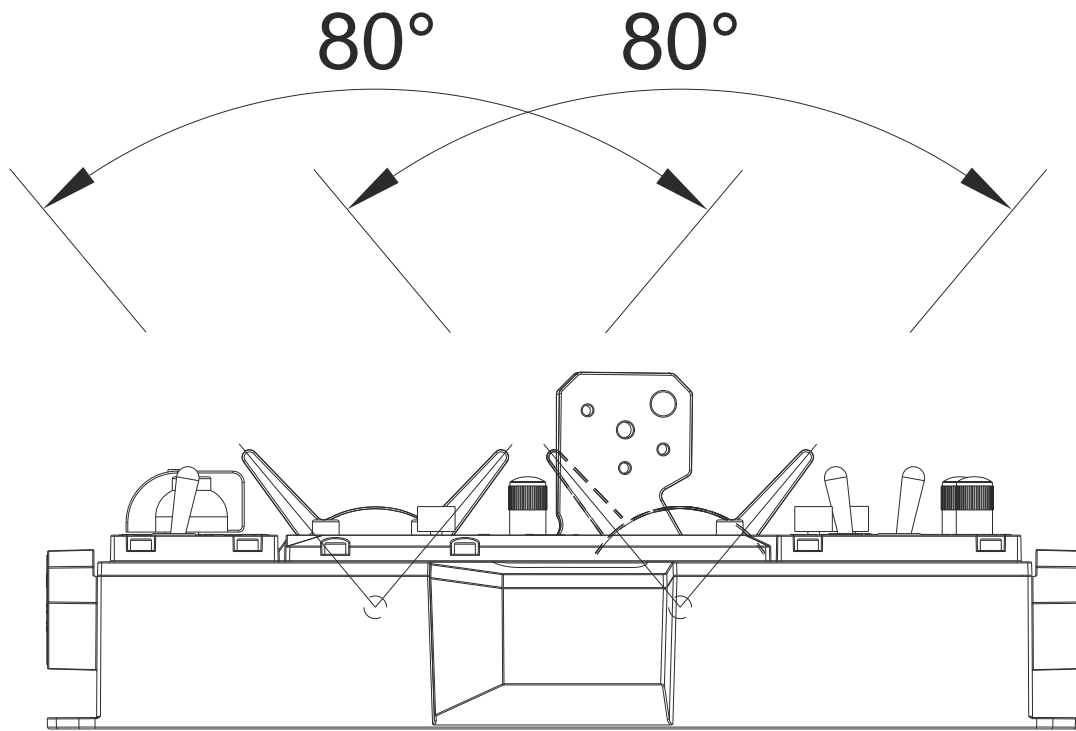
- |                      |   |
|----------------------|---|
| ① T2-BASE II (1#)    | 1 |
| ② Accessory kit (2#) | 1 |
| ③ USB cable (3#)     | 1 |

## 1. Parameter

### 1.1. Performance parameter



Core unit total travel:80° ;

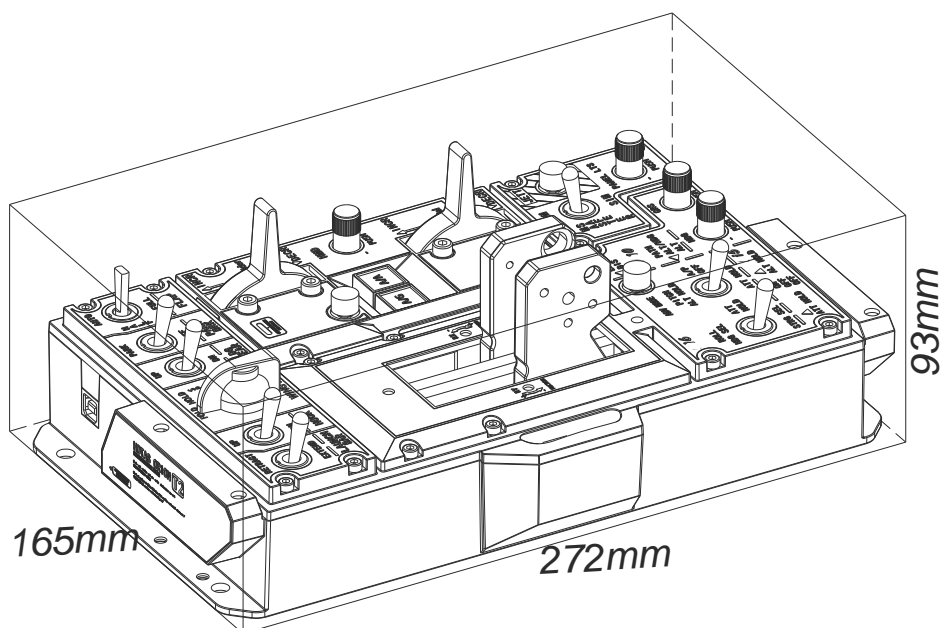


Thumb wheel switch total travel: 80° ;

## 1.2. Applicable mode

Throttle grips as TGRIP-18/TGRIP-18, etc are all applicable

## 1.3. Dimensions

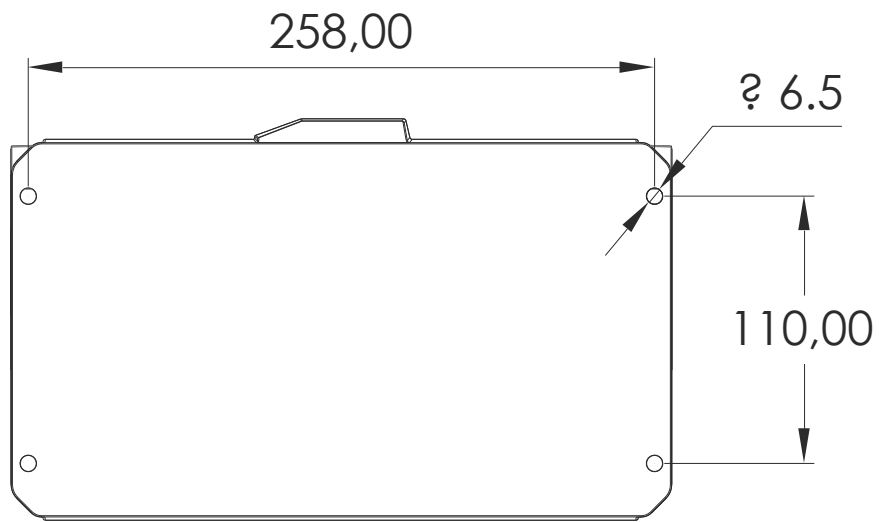


Length\*width\*height

272mm\*165mm\*93mm;

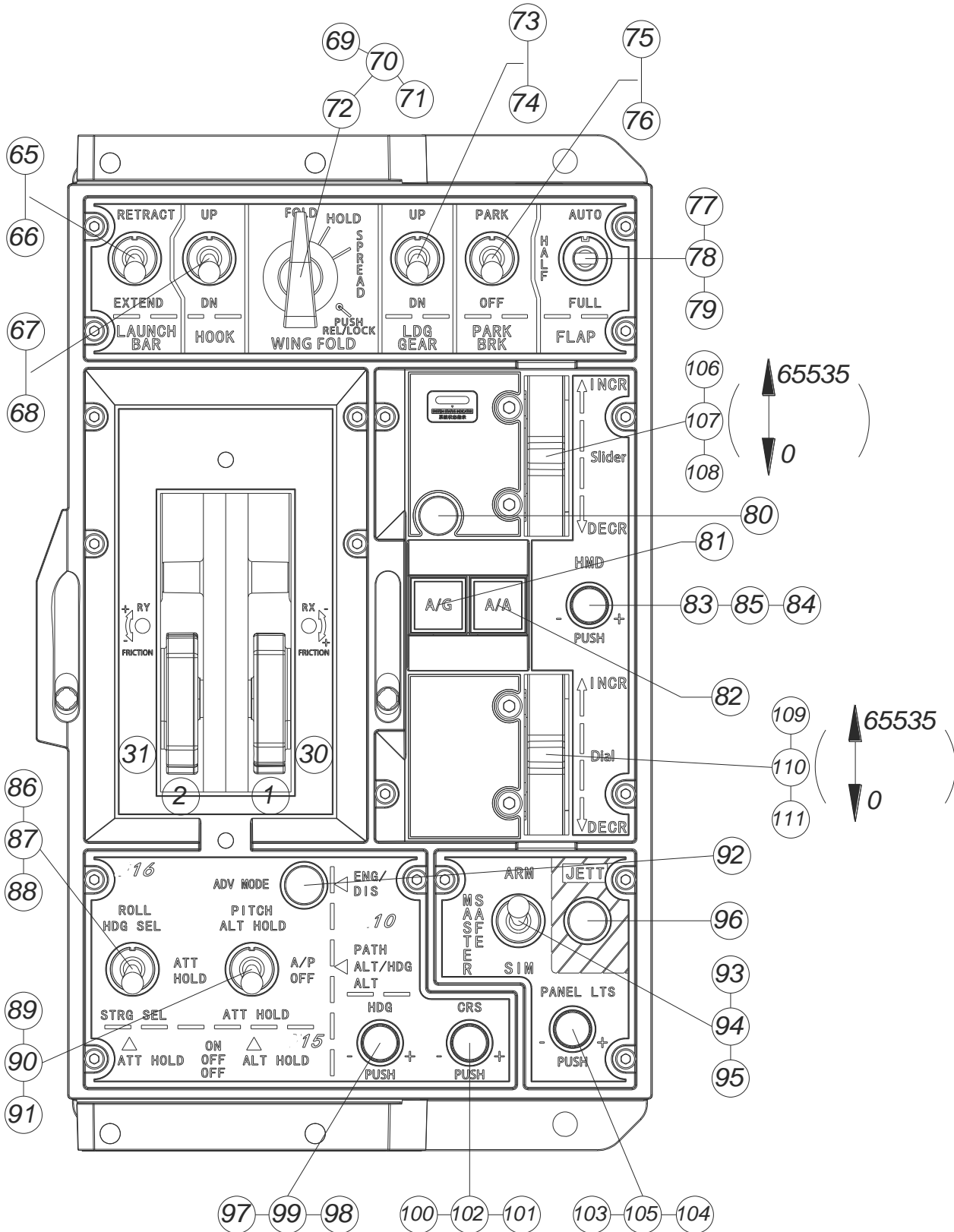
Mass: 1.5Kg=3.32lb

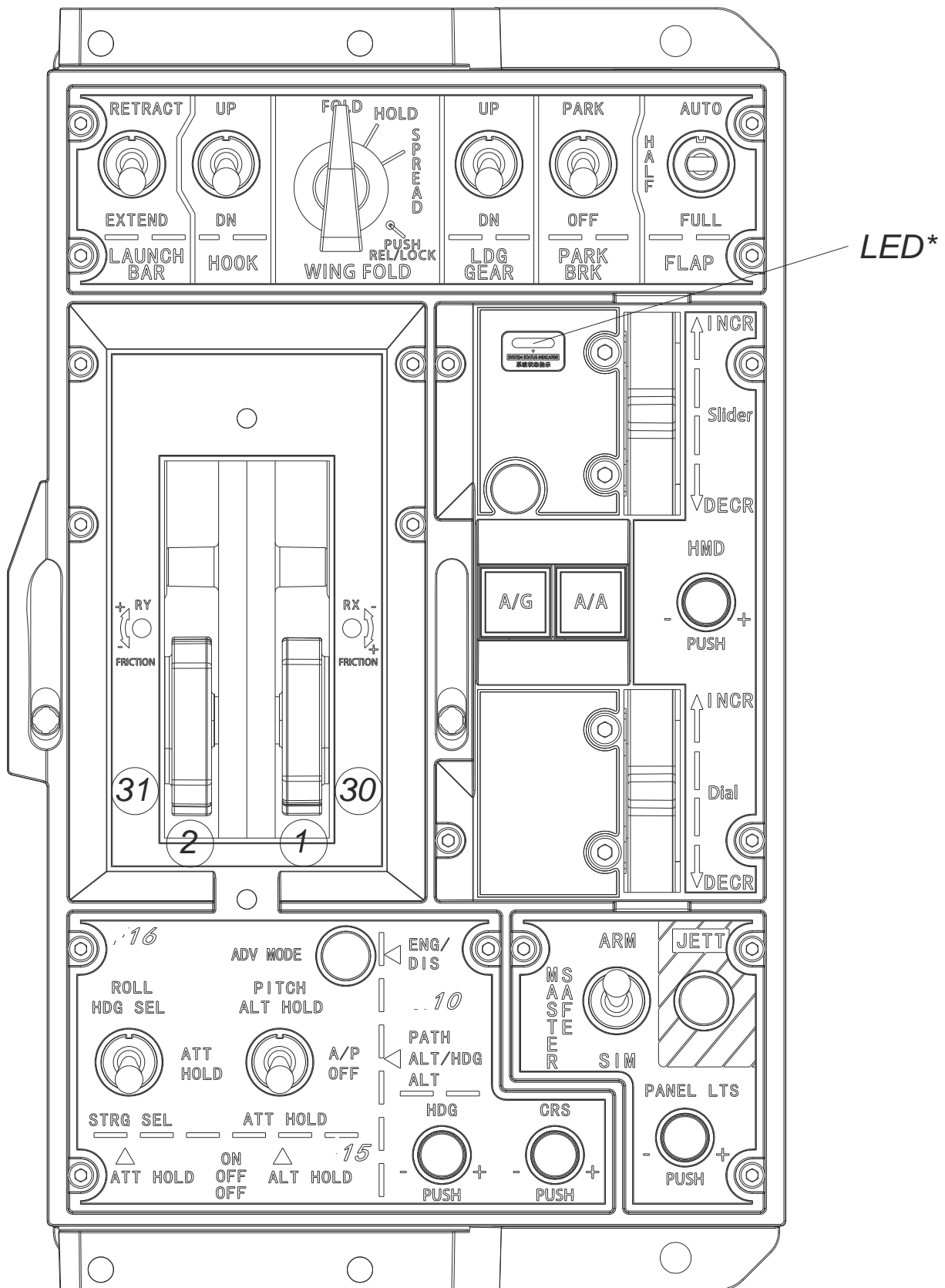
#### 1.4. Installation dimensions



# 2. Function

## 2.1. Key/switch arrangement and functions





\*LED Status Display:

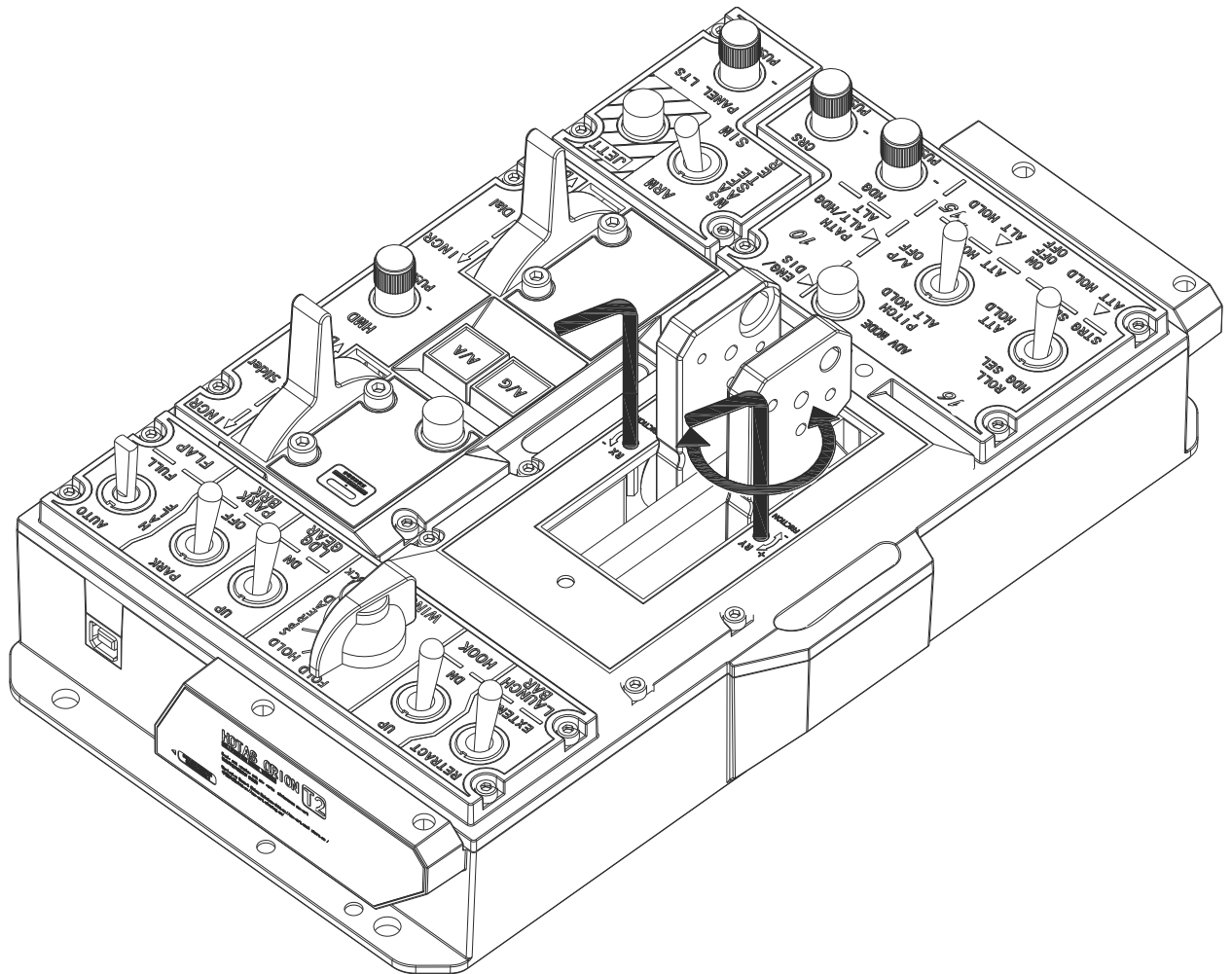
Steady slow flashing in green (1s interval) - BOOT mode.

Slow flashing in green (1s interval) for 5 times, then steady ON - Operational mode.



Slow flashing in green (1s interval) for 5 times, then OFF - Power supply only mode.

## 2.2. Adjustment method



Put the Allen wrench (T2) in the designated hole and adjust the friction by rotating the screws.

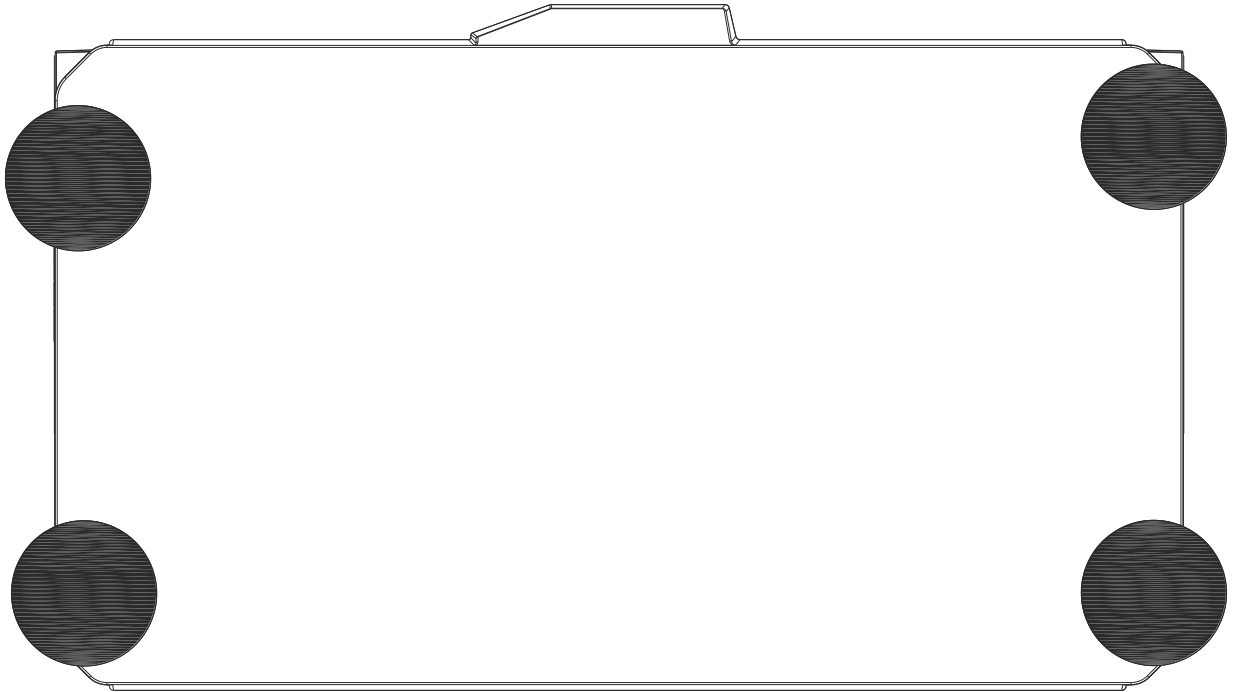
(rotate clockwise to increase the friction, anticlockwise, decrease.)

## 3. Components disassemble and assemble

/

## 4. Installation method

### 4.1. T2-2base and suction cups installation



Remove the suction cup screws and put the bolts through the base, finally screw the bolts on.  
Note: clean the suction cup and table surface so as to ensure the base stick tightly and firmly.



### 4.3. Other installations

/

\*information is subject to change without notice.

# Chengdu WINWING Tech Co.Led

[WWW.WINWING.CN](http://WWW.WINWING.CN)

[INFO@WINWING.CN](mailto:INFO@WINWING.CN)

No.19 Building, No.1111Changeshengqiao Road, High-tech International

Enterprise Zone Pidu District, Chengdu, China